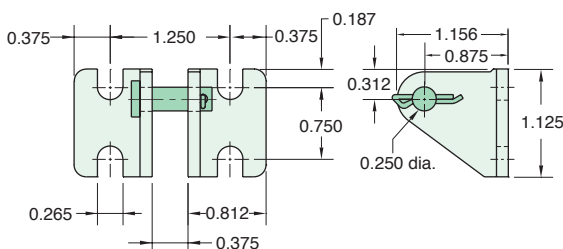




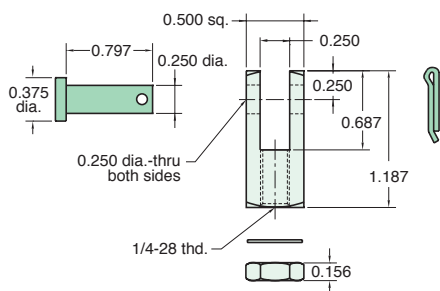
## CB-1795

Clevis Bracket  
Material: Steel, bright zinc plated



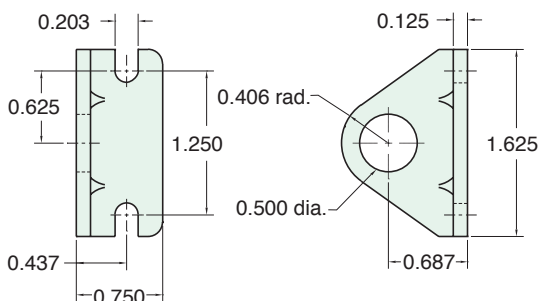
## RC-1281

Rod Clevis  
Material: Steel, electroless nickel plate



## FB-1291

Foot Bracket  
Material: Steel, bright zinc plated



## MOUNTING NUTS

### Stud Nut

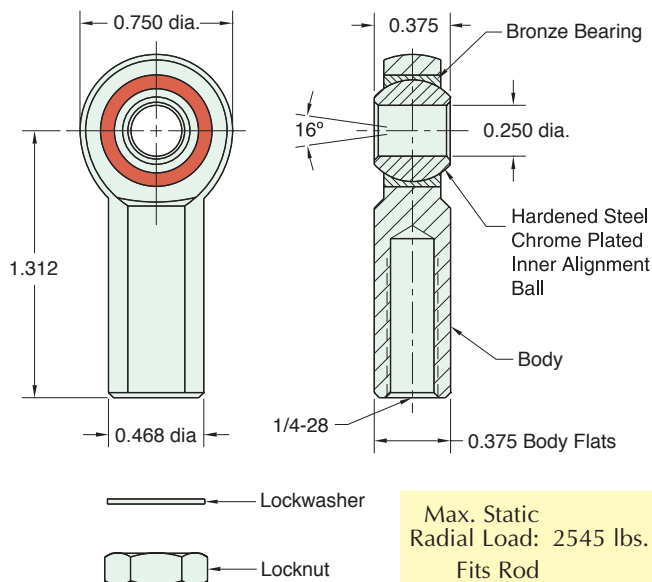
Part Number	Across Flats	Nut Thickness	Nut (Thread)
<b>N08-20</b>	3/4"	5/16"	1/2-20
<b>N10-18</b>	15/16"	3/8"	5/8-18

### Rod Nut

Part Number	Across Flats	Nut Thickness	Nut (Thread)
<b>N04-28A</b>	7/16"	5/32"	1/4-28
<b>N04-28B</b>	3/8"	1/8"	1/4-28

## RE-1285

Rod End  
Material: Steel, bright zinc plated body



## FB-1791

Foot Bracket  
Material: Steel, bright zinc plated

